

Clash Publish



Clash Computation Specification			
Products Selected			
AT612359MQ Muon Support Sector 11	ATCNMC_0019 MEE CHAMBERS SIDE C - 3D SIMPLIFIED MODEL	-54.84	Relevant
	ATCNMA_0006 BARREL PROJECTIVE ALIGNMENT. - SIMPLE 3-D MODEL	-140.34	Relevant
	ATCNMA_0009 END CAP ALIGNMENT SIDE "A". - SIMPLE 3-D MODEL.	-101.83	Relevant
	ATCNMA_0010 END CAP ALIGNMENT SIDE "C" - SIMPLE 3-D MODEL.	-101.2	Relevant
	ATCVTB_0038 RING A1 SECTOR 11 - TB WARM STRUCTURE	-19.92	Relevant
	AT632633MQ MQ Alignment BAR EIL4	-127.66	Relevant
	AT632808MQ MQ Alignment BAR EIL4	-128.46	Relevant

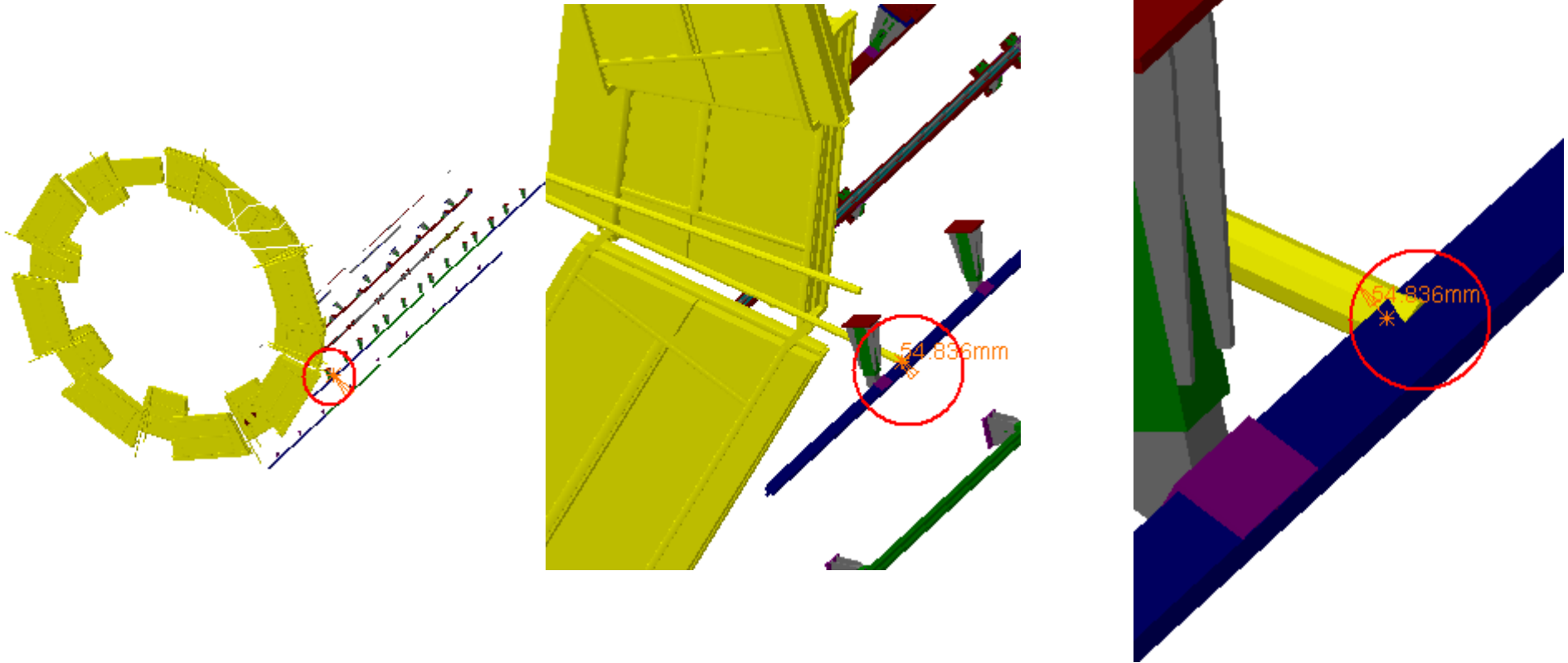
Revised by Wim 6/10/2005

Lasha: I have already deleted NR conflicts

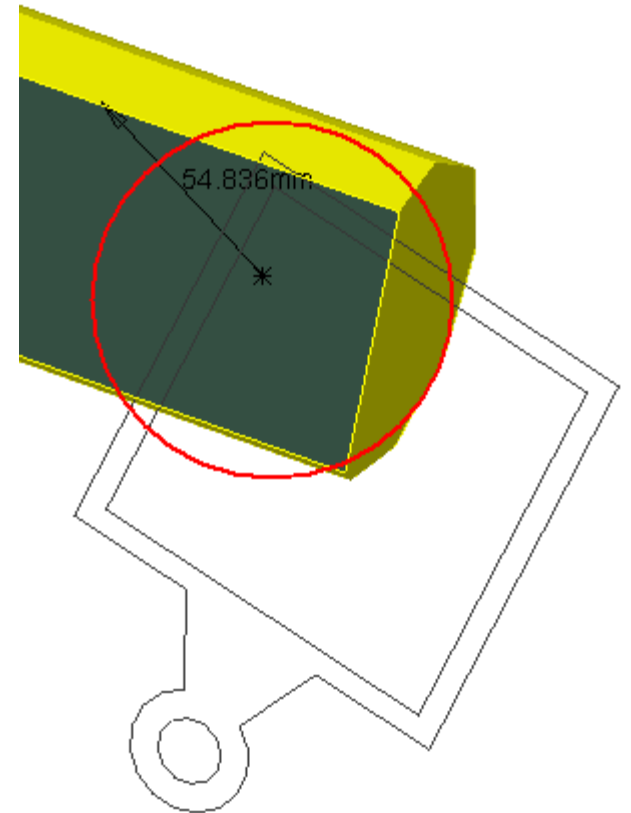
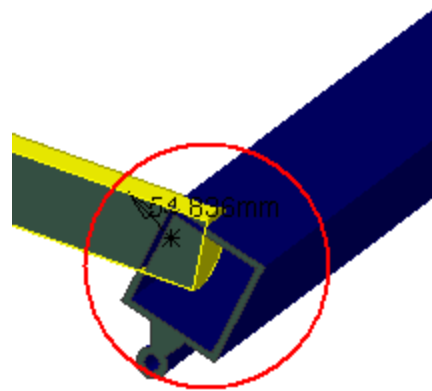
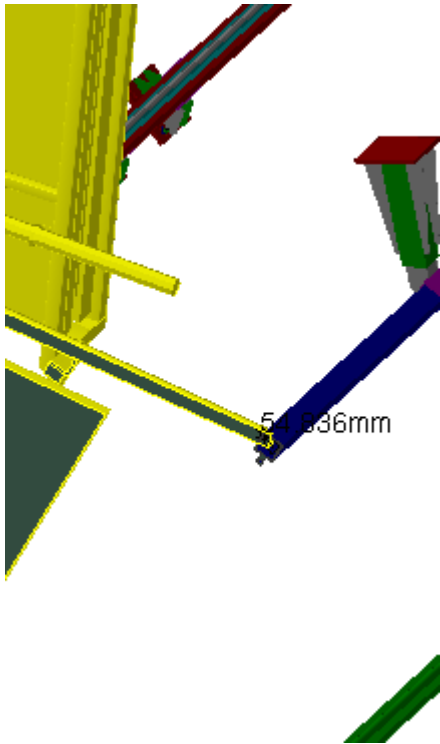
Products Selected			
AT612359MQ Muon Support Sector 11	AT812126MQ TBW Structure	-29.9	Relevant
	AT812126MQ-M TBW Structure	-27.41	Relevant
	AT812127MQ TBW Structure	-29.65	Relevant
	AT812127MQ-M TBW Structure	-27.49	Relevant
	AT812128MQ TBW Structure	-33.4	Relevant
	AT812128MQ-M TBW Structure	-36.11	Relevant

Computation Result:

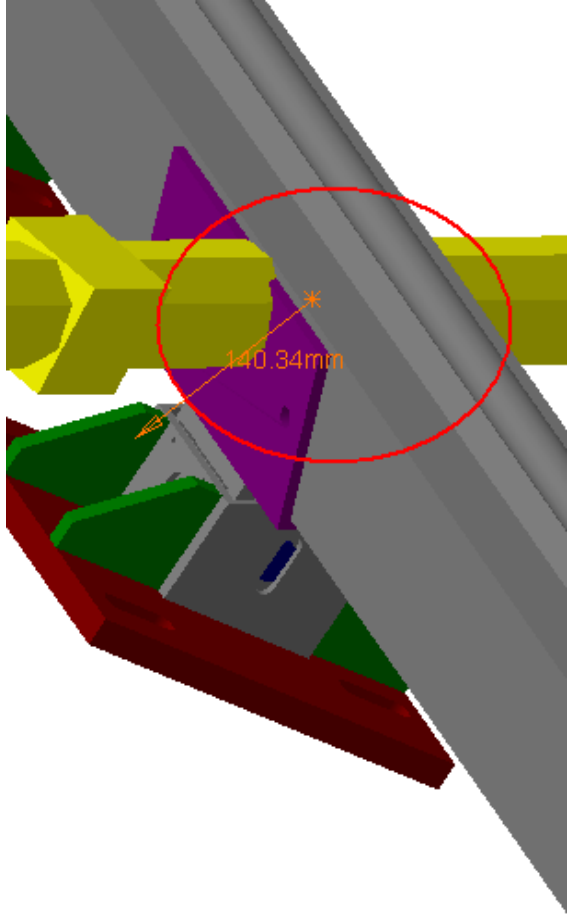
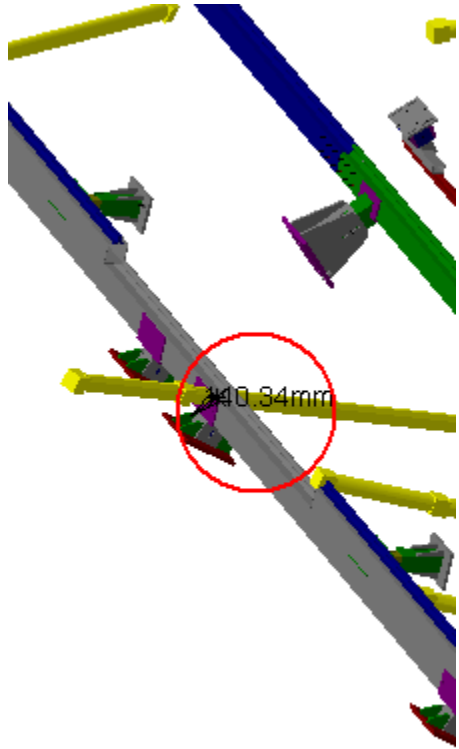
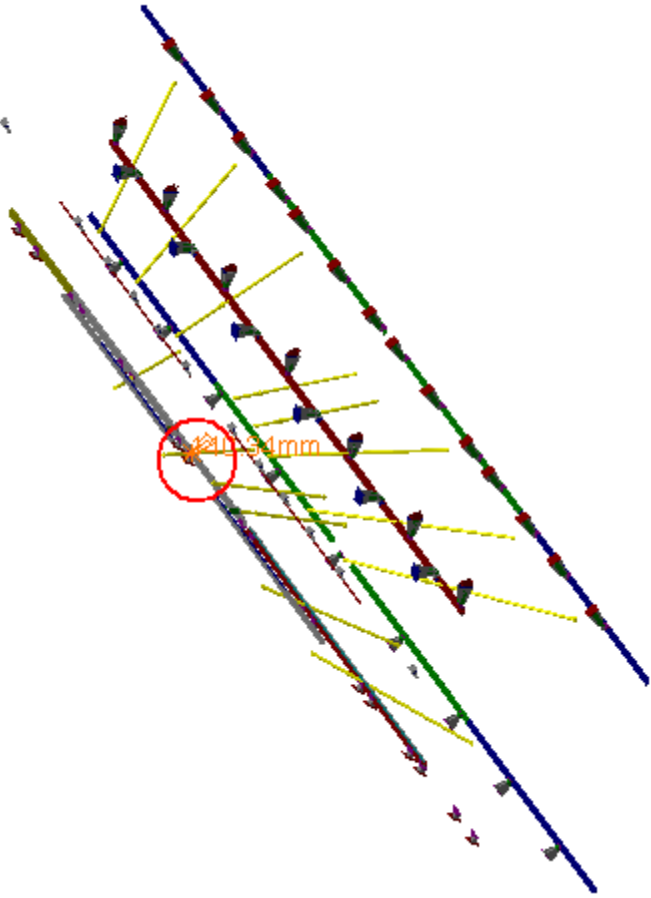
AT612359MQ Muon Support Sector 11	ATCNMC_0019 MEE CHAMBERS SIDE C - 3D SIMPLIFIED MODEL	Clash	-54.84mm	Not inspected
--------------------------------------	--	-------	----------	---------------



Clash View 1:

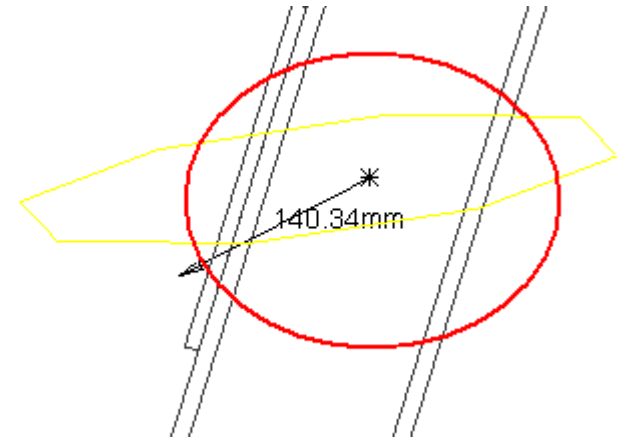
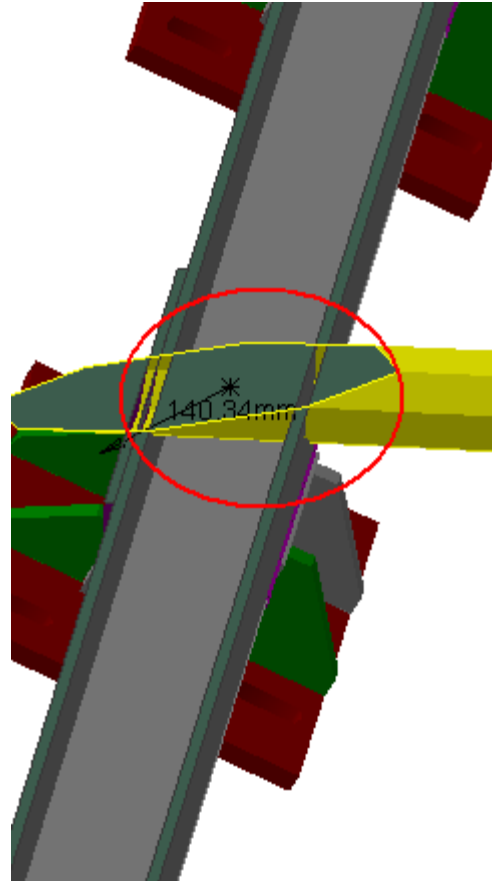


AT612359MQ Muon Support Sector 11	ATCNMA_0006 BAREL PROJECTIVE ALIGNMENT. - SIMPLE 3-D MODEL.	Clash	-140.34mm	Not inspected
--------------------------------------	---	-------	-----------	---------------

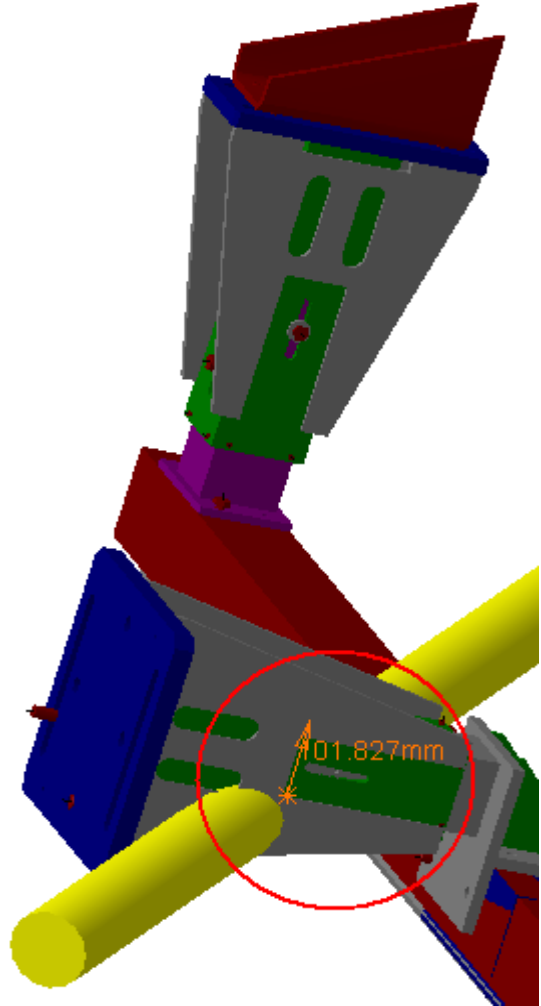
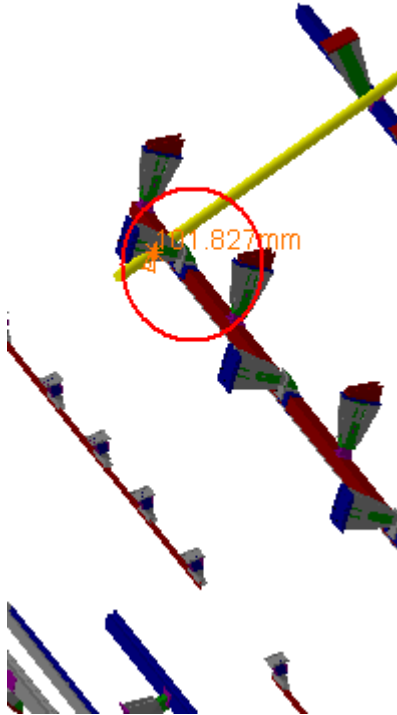
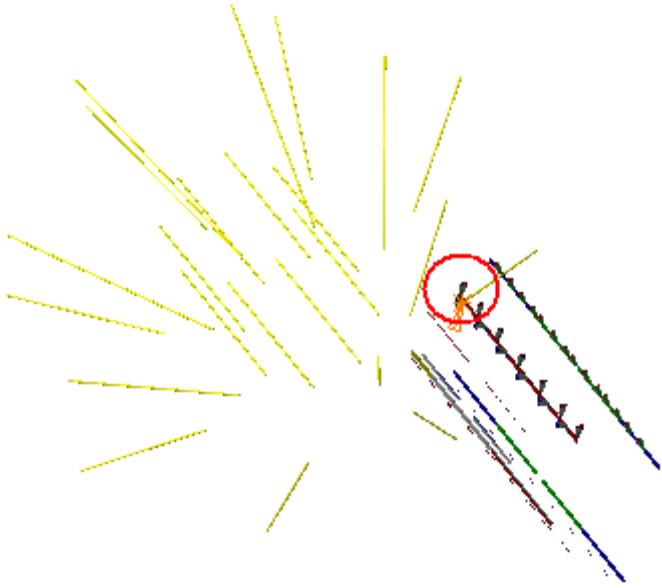


Side A
Sector 11

Clash View 1:

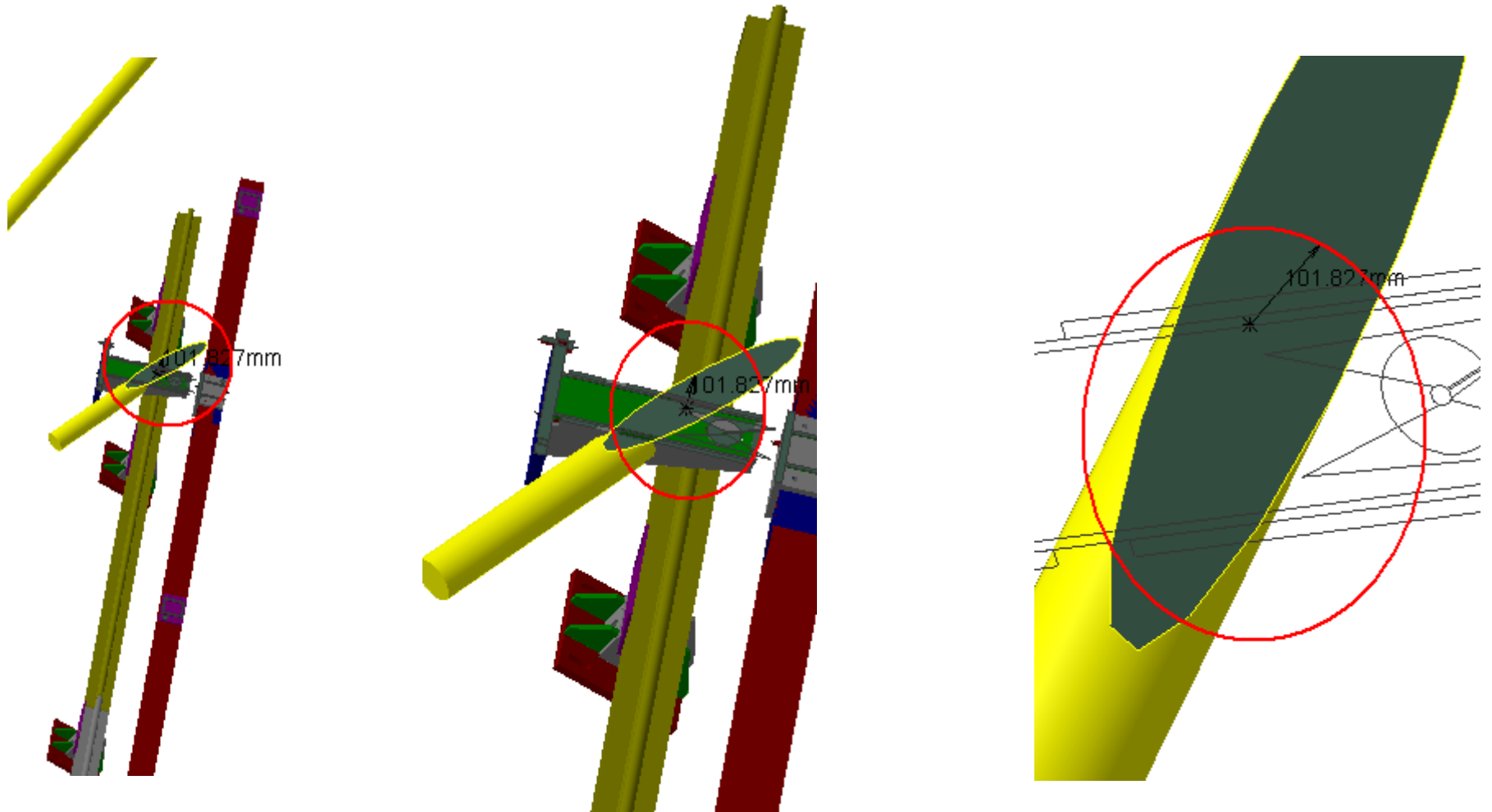


AT612359MQ Muon Support Sector 11	ATCNMA_0009 END CAP ALIGNMENT SIDE "A". - SIMPLE 3-D MODEL.	Clash	-101.83mm	Not inspected
--------------------------------------	---	-------	-----------	---------------



Side C
Sector 1

Clash View 1:



AT612359MQ Muon Support
Sector 11

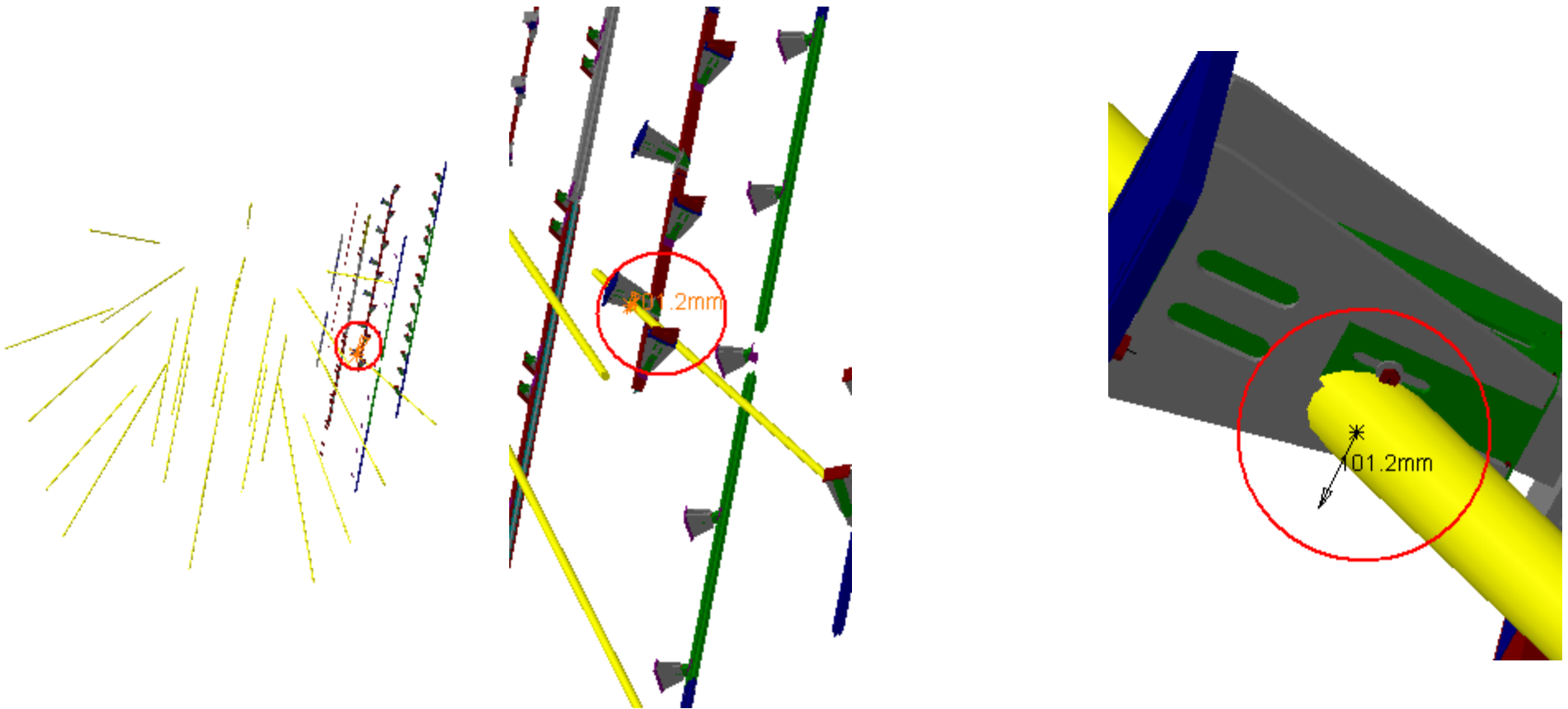
ATCNMA_0010 END CAP ALIGNMENT
SIDE "C" - SIMPLE 3-D MODEL

Clash

-101.83mm

Not inspected

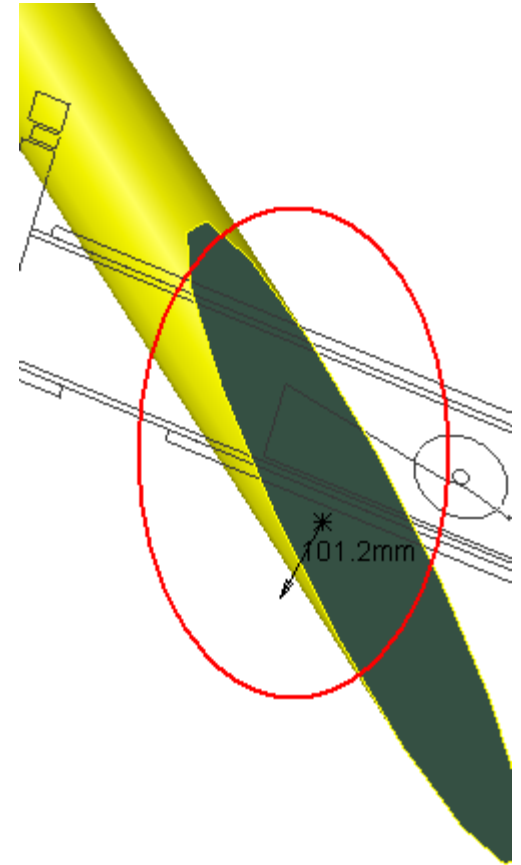
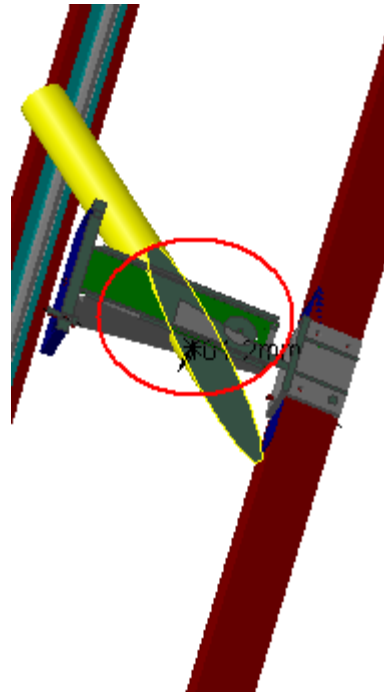
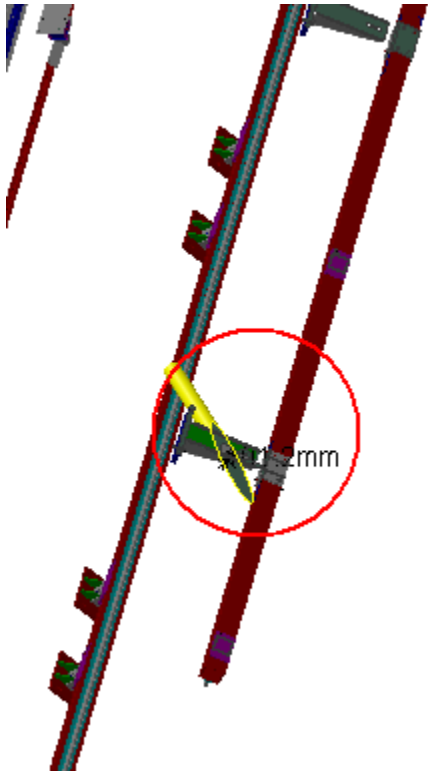
RELEVANT



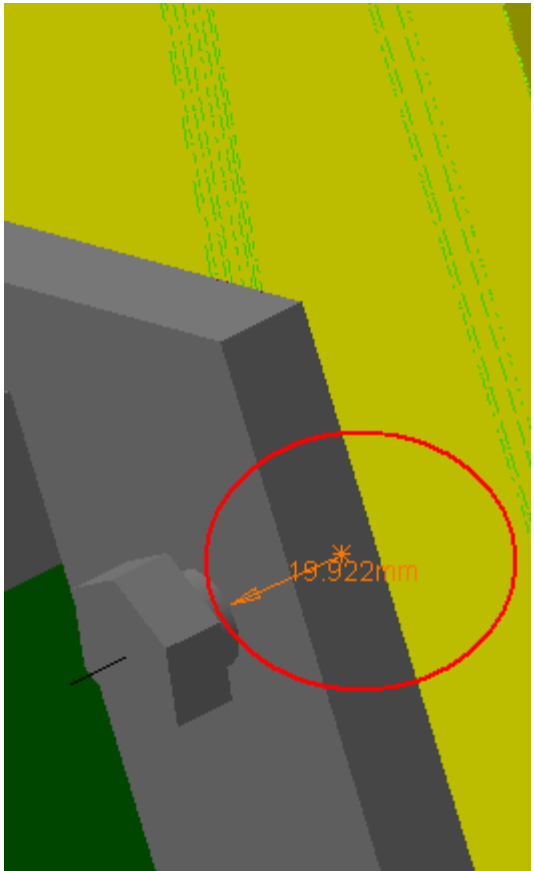
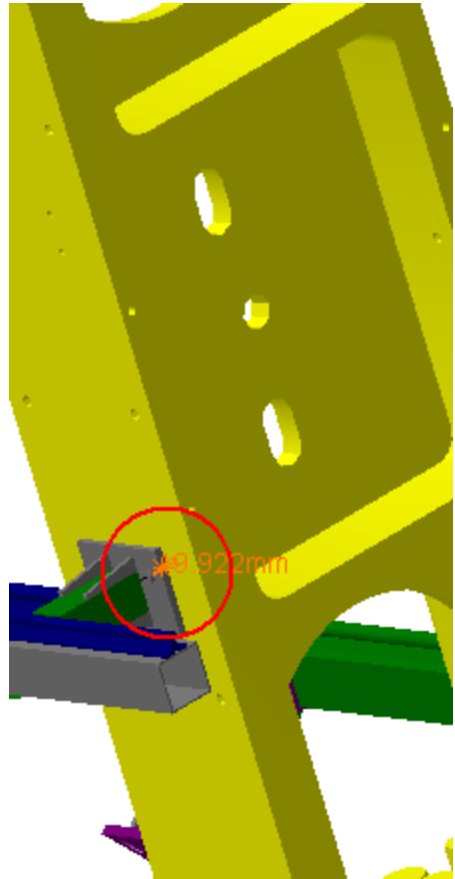
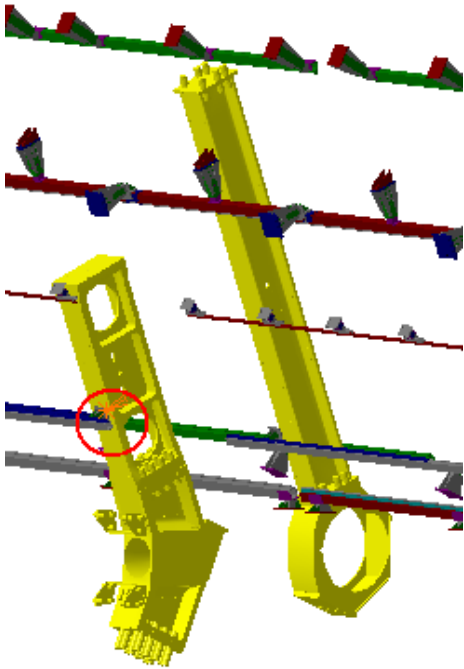
Side C

Sector 11

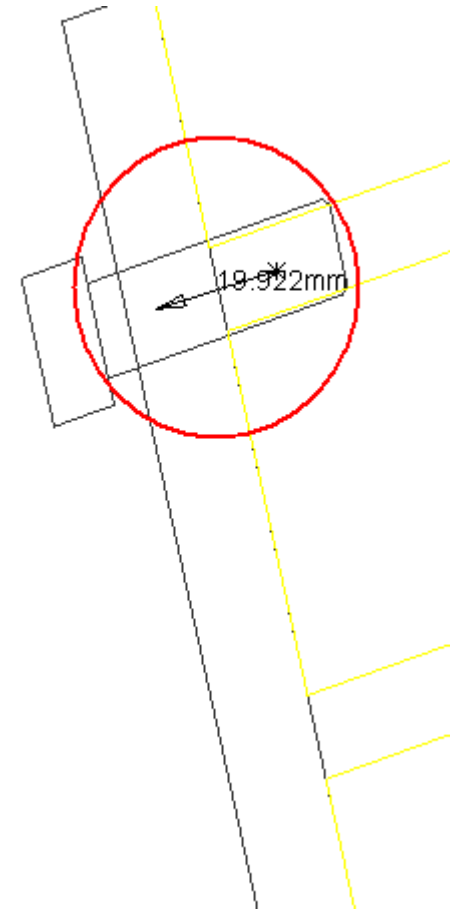
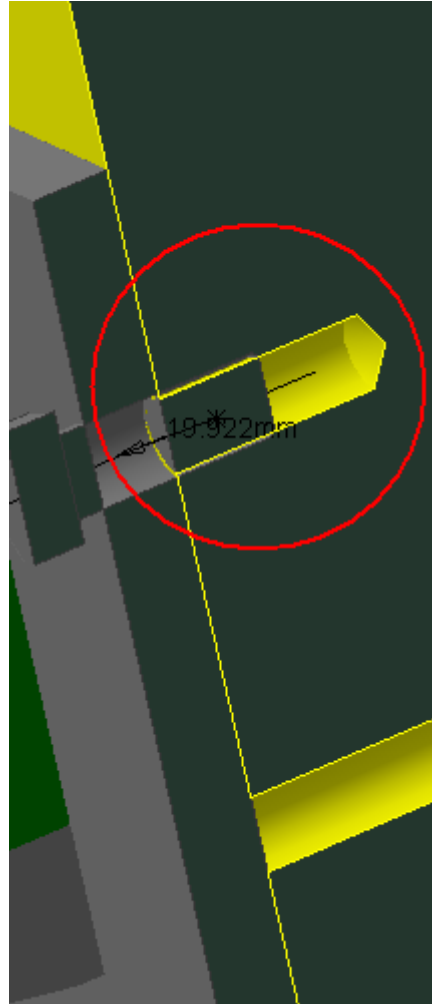
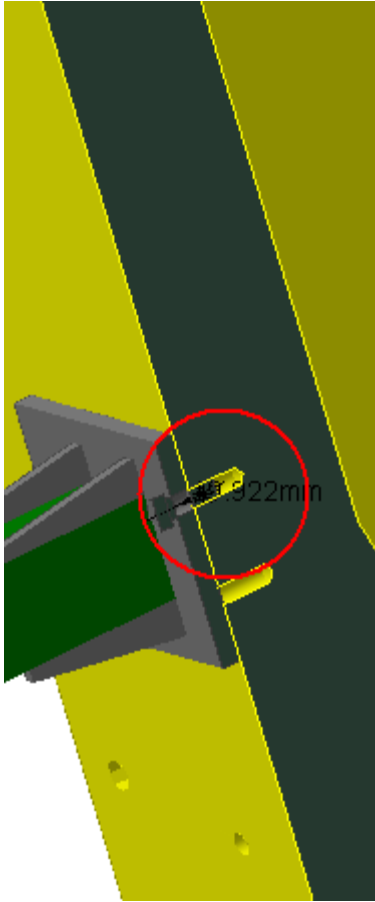
Clash View 1:



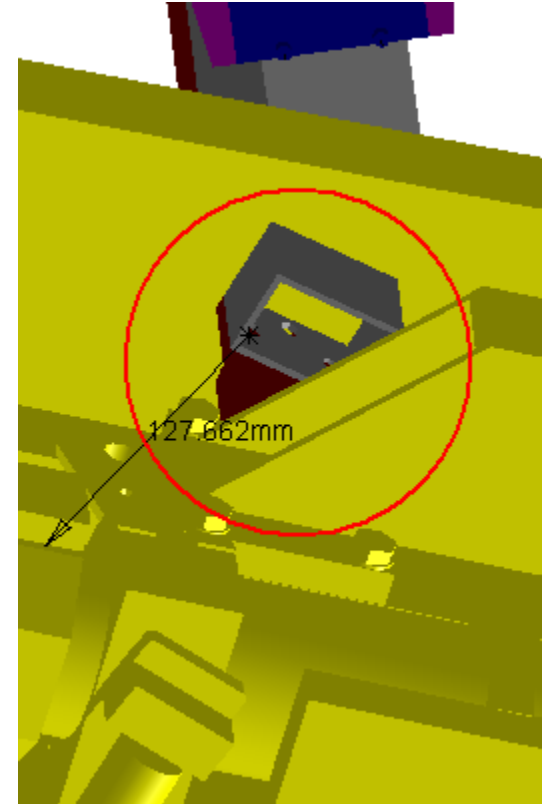
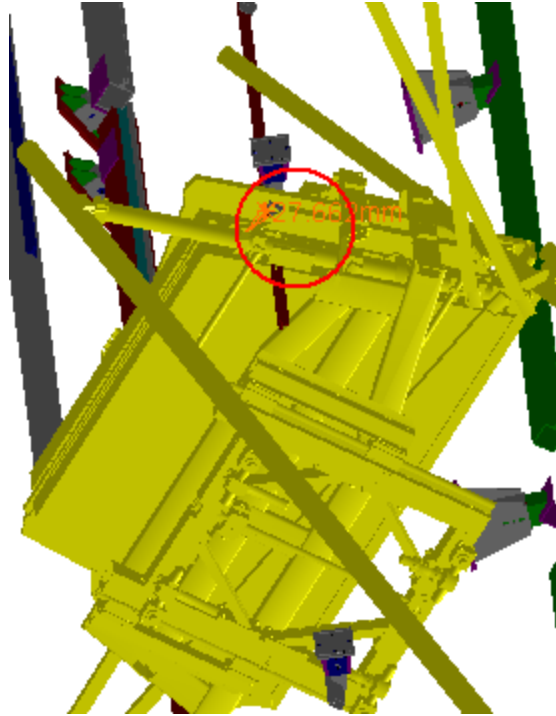
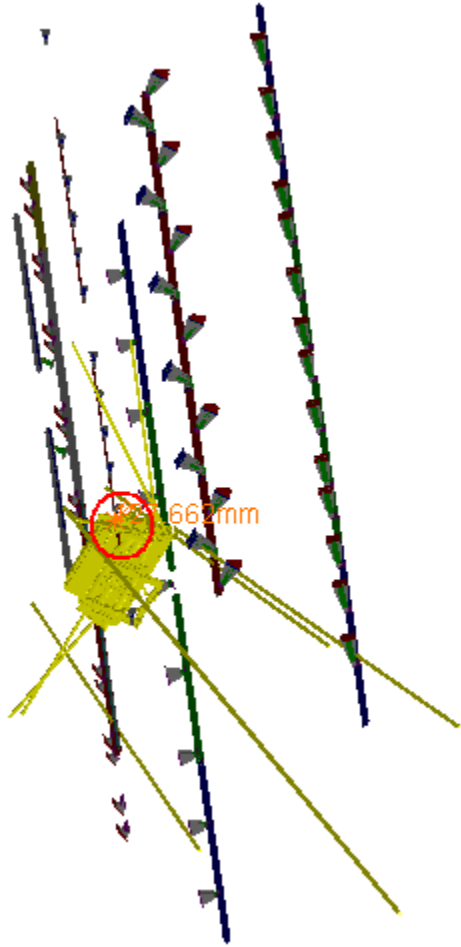
AT612359MQ Muon Support Sector 11	ATCVTB_0038 RING A1 SECTOR 11 - TB WARM STRUCTURE	Clash	-19.92mm	Not inspected
--------------------------------------	--	-------	----------	---------------



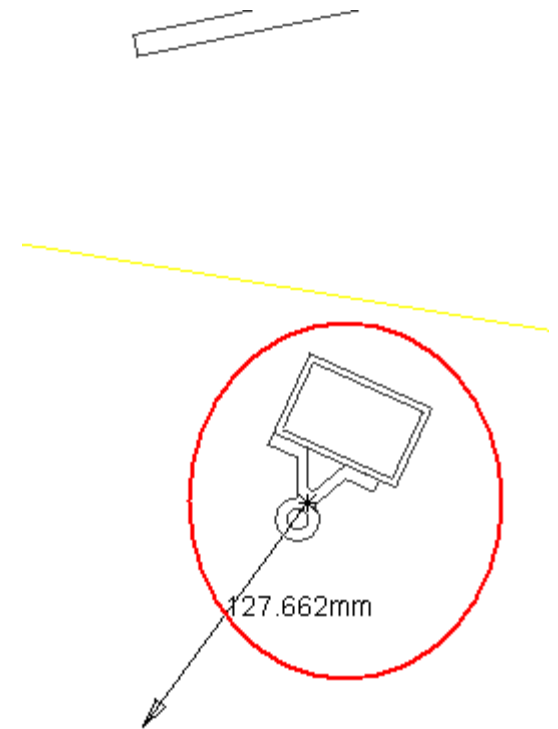
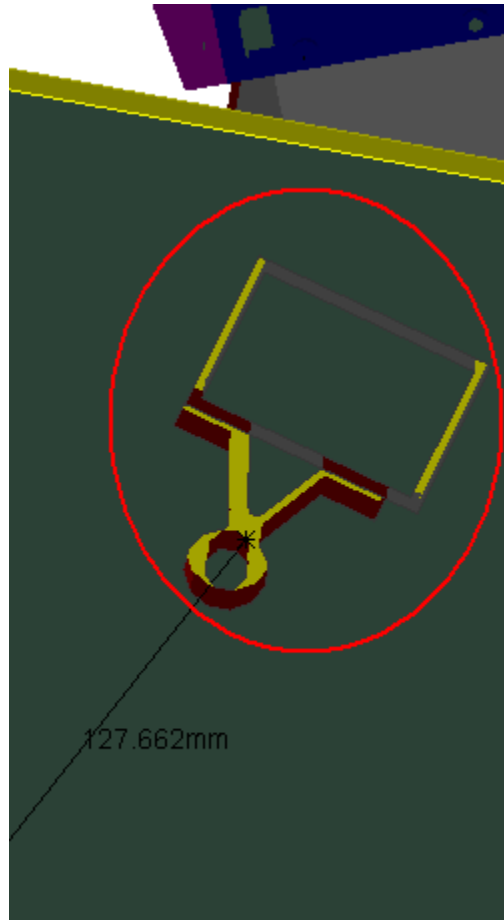
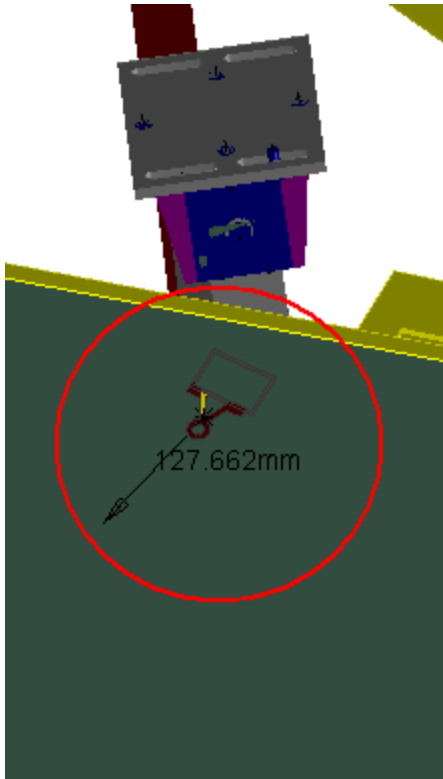
Clash View 1:



AT612359MQ Muon Support Sector 11	AT632633MQ MQ Alignment BAR EIL4	Clash	-127.66mm	Not inspected	RELEVANT
--------------------------------------	-------------------------------------	-------	-----------	---------------	----------

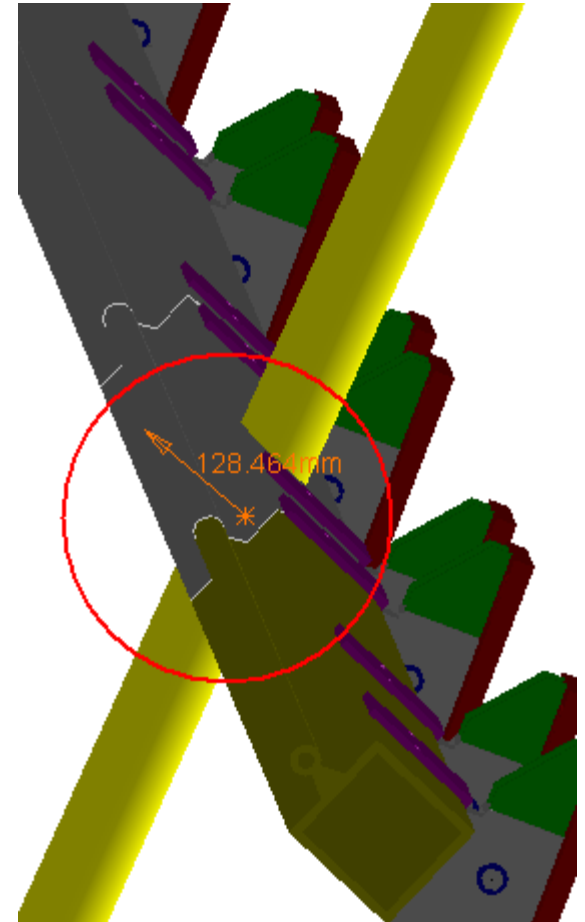
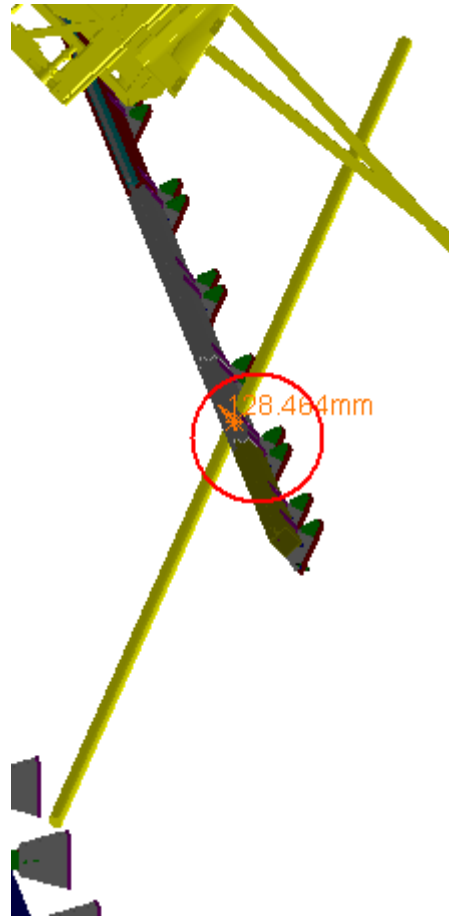


Clash View 1:

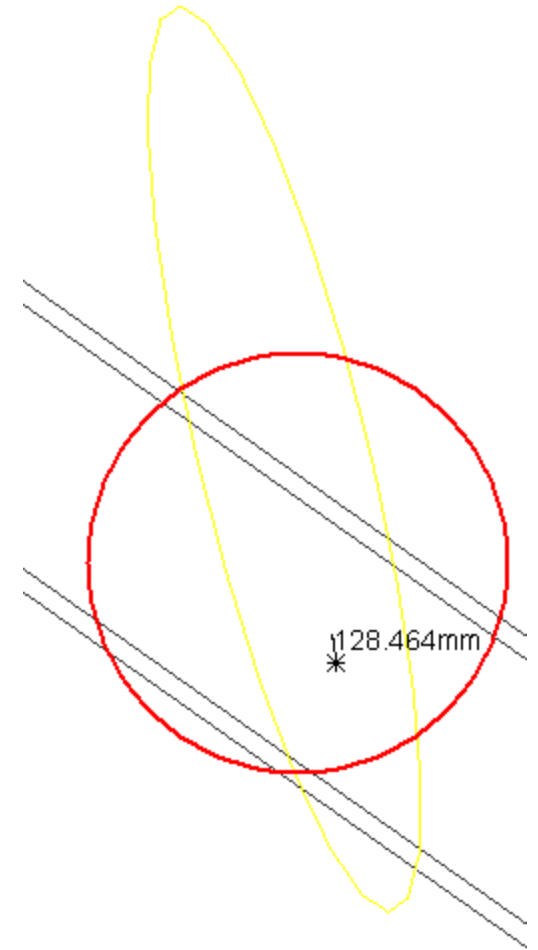
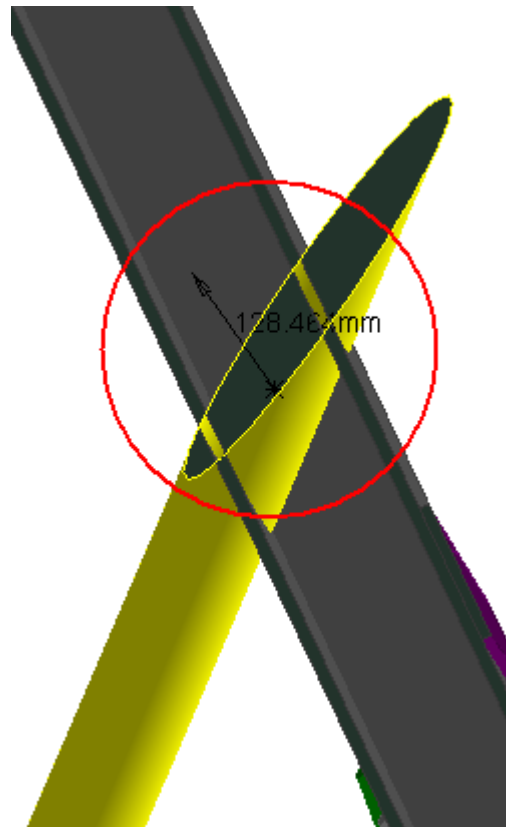
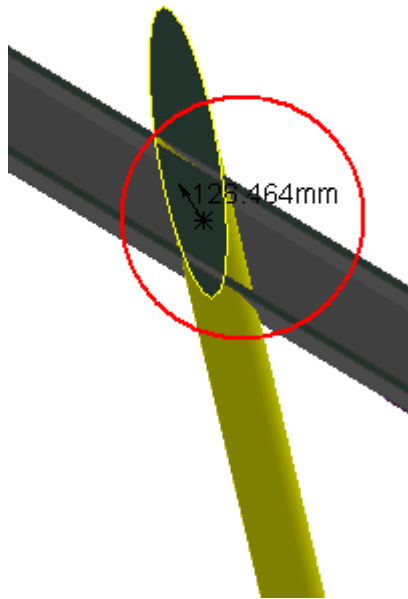


AT612359MQ Muon Support Sector 11	AT632808MQ MQ Alignment BAR EIL4	Clash	-128.46mm	Not inspected
--------------------------------------	-------------------------------------	-------	-----------	---------------

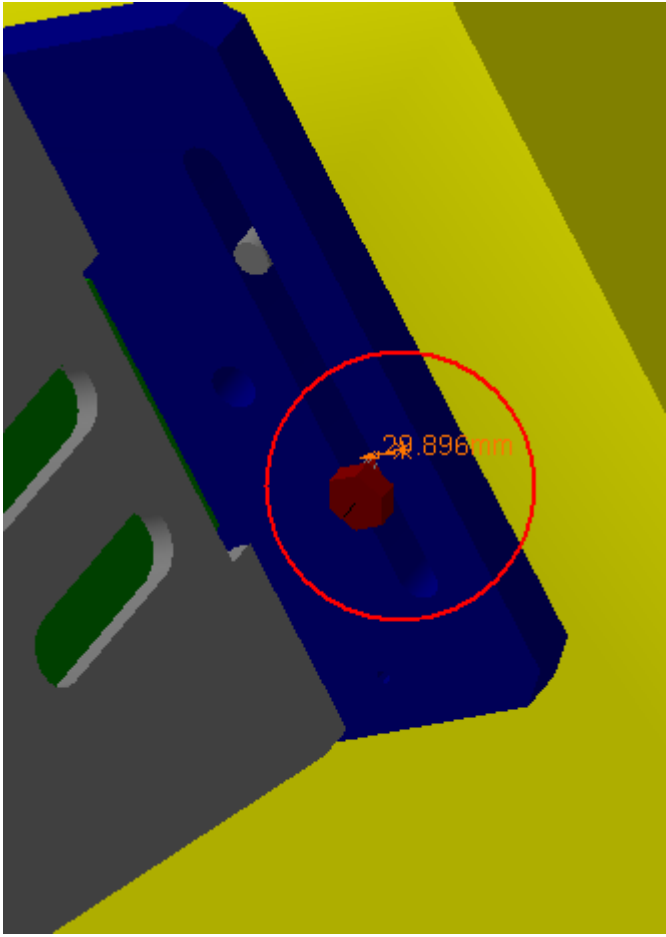
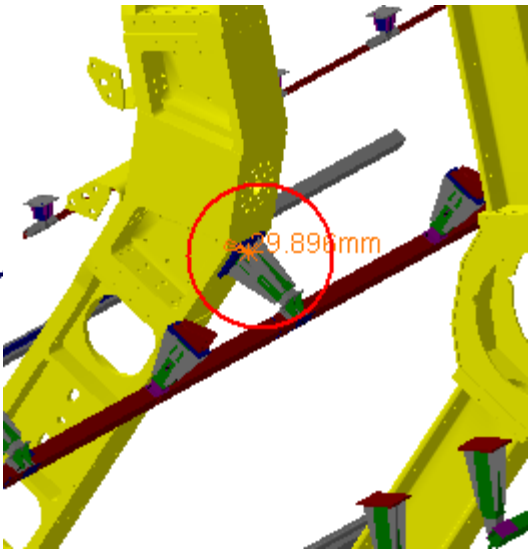
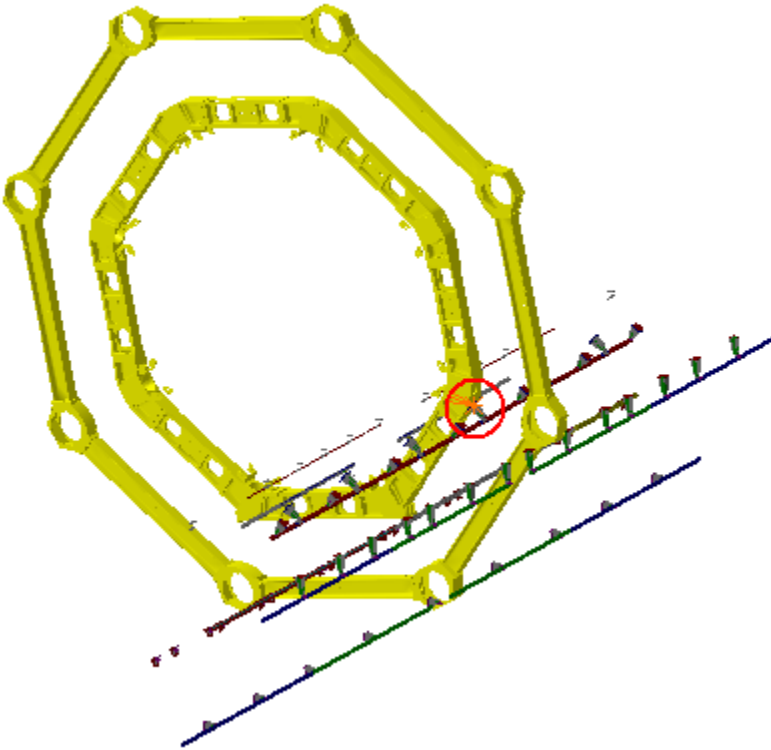
RELEVANT



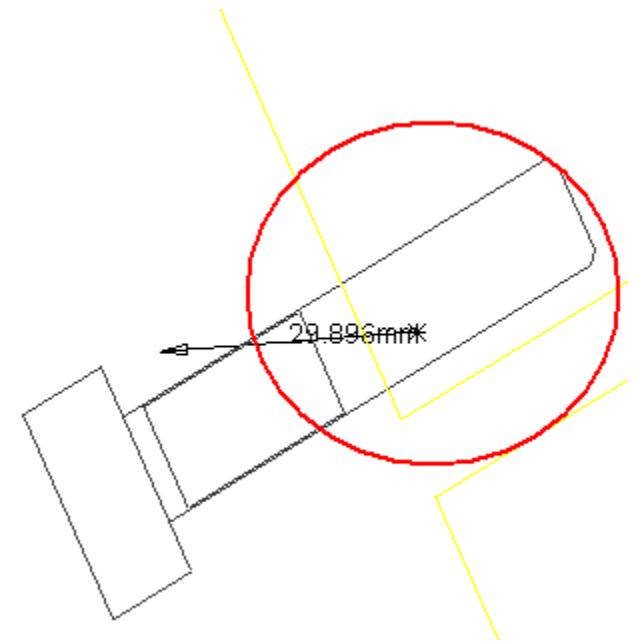
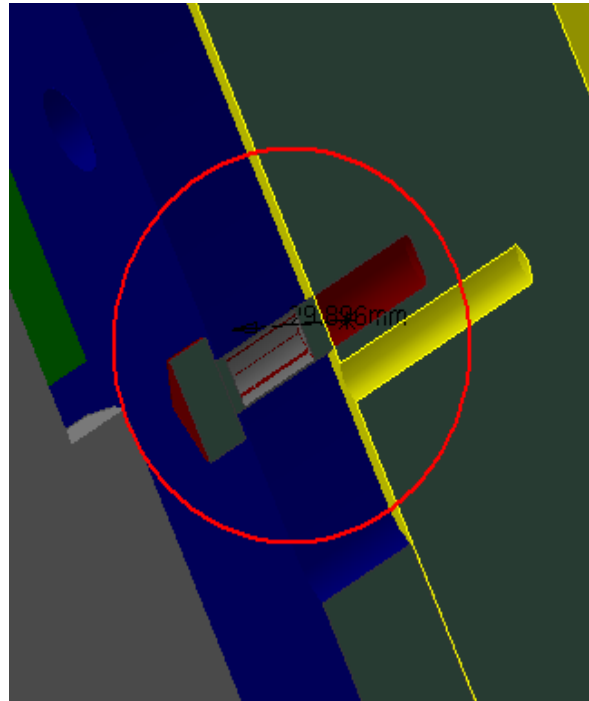
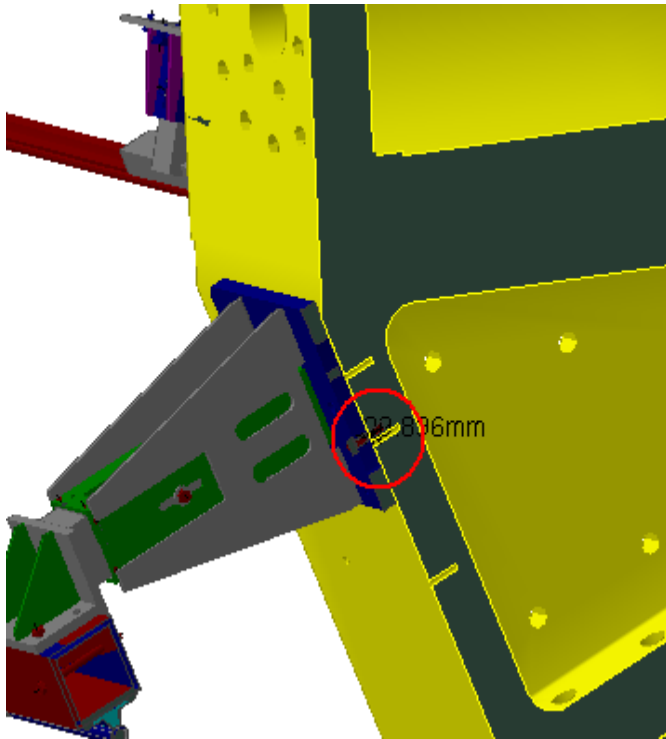
Clash View 1:



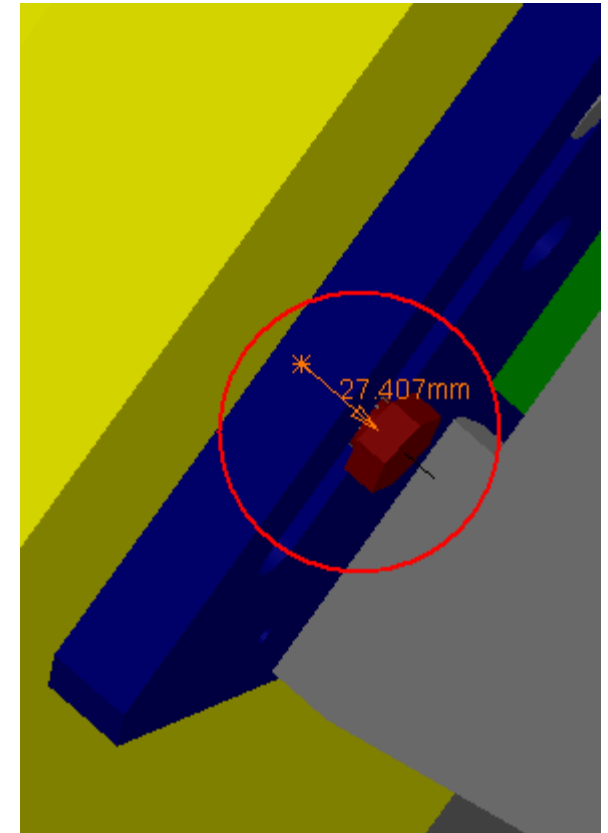
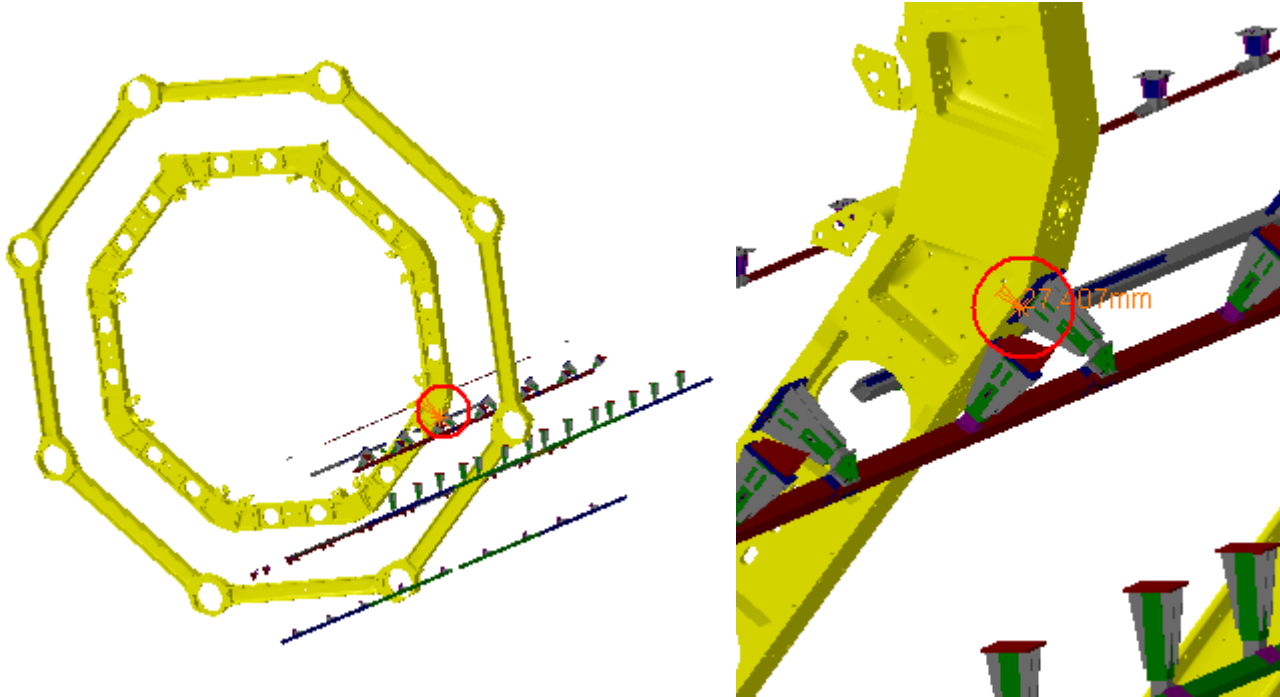
AT612359MQ Muon Support Sector 11	AT812126MQ TBW Structure	Clash	-29.9mm	Not inspected
--------------------------------------	--------------------------	-------	---------	---------------



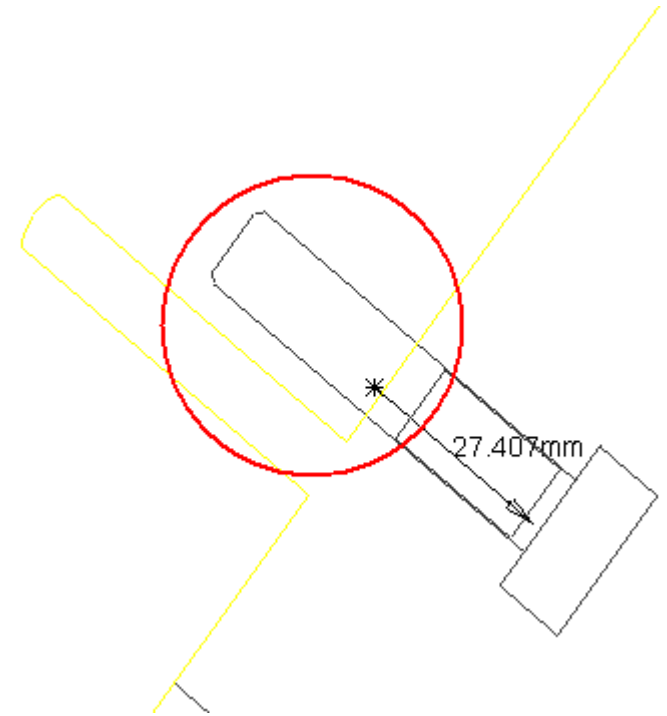
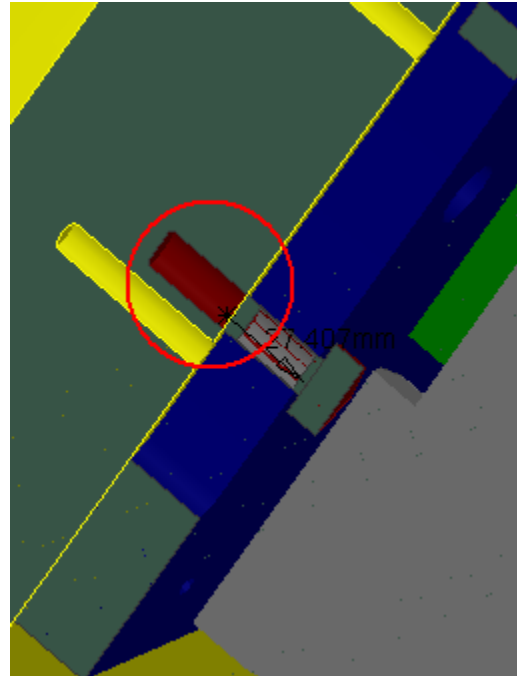
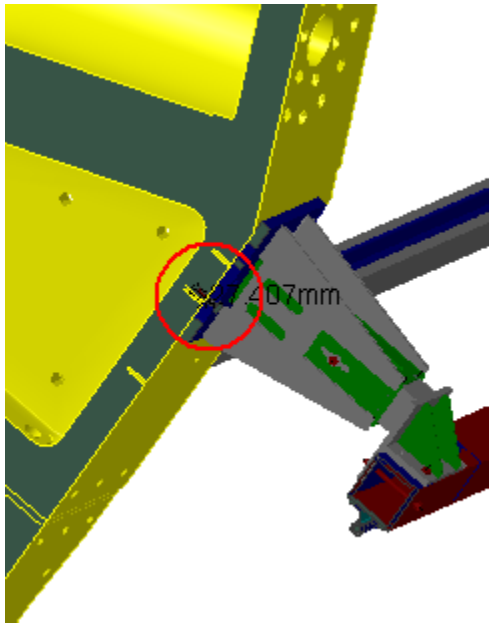
Clash View 1:



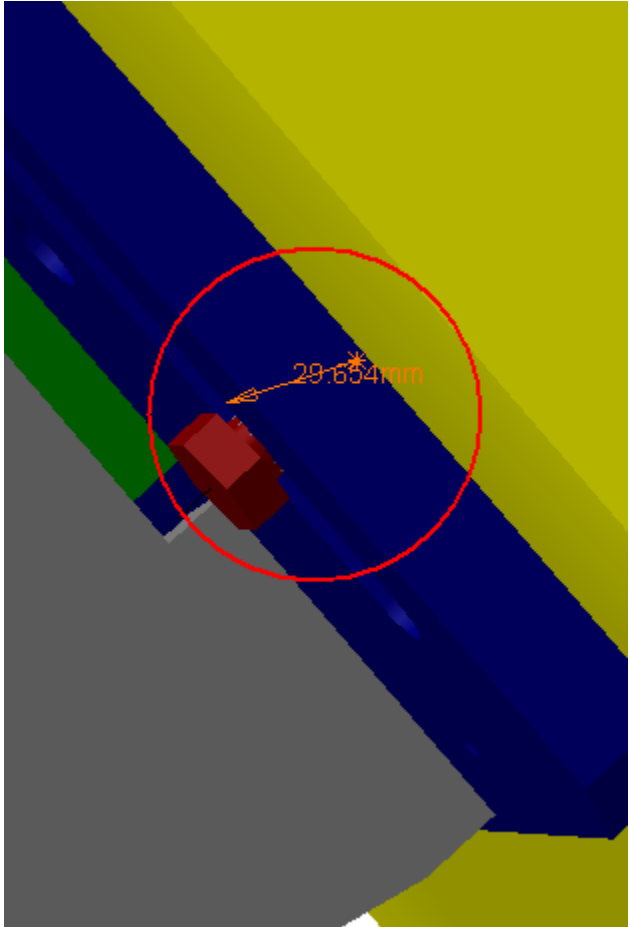
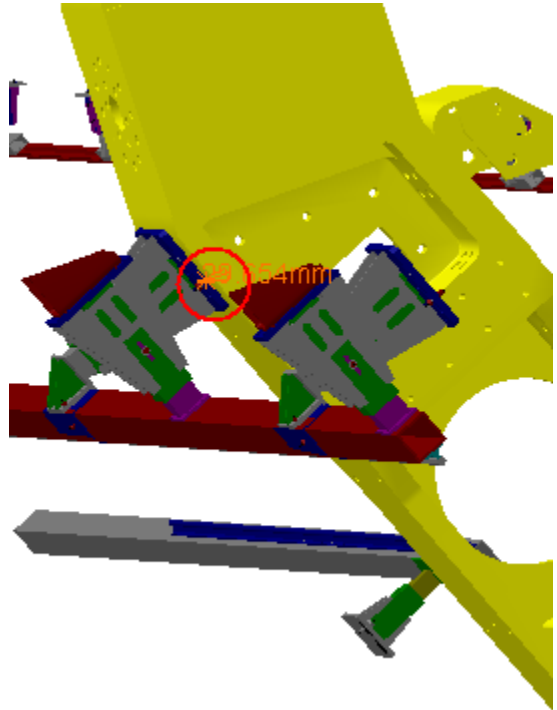
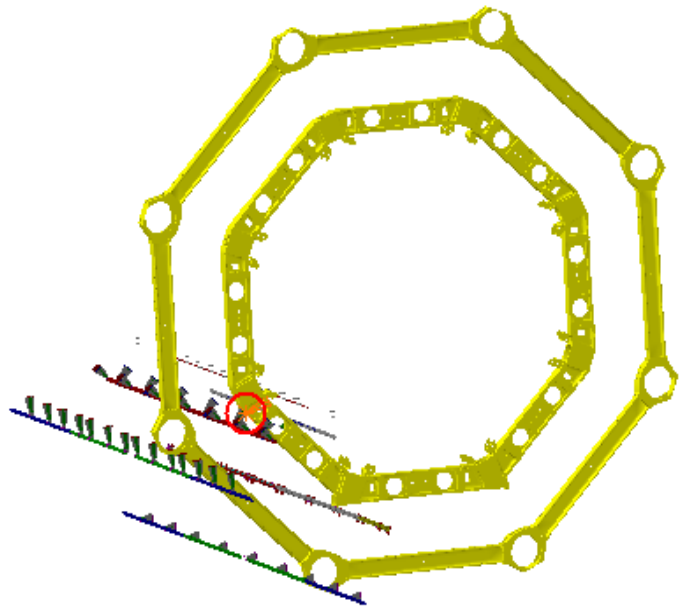
AT612359MQ Muon Support Sector 11	AT812126MQ-M TBW Structure	Clash	-27.41mm	Not inspected
--------------------------------------	-------------------------------	-------	----------	---------------



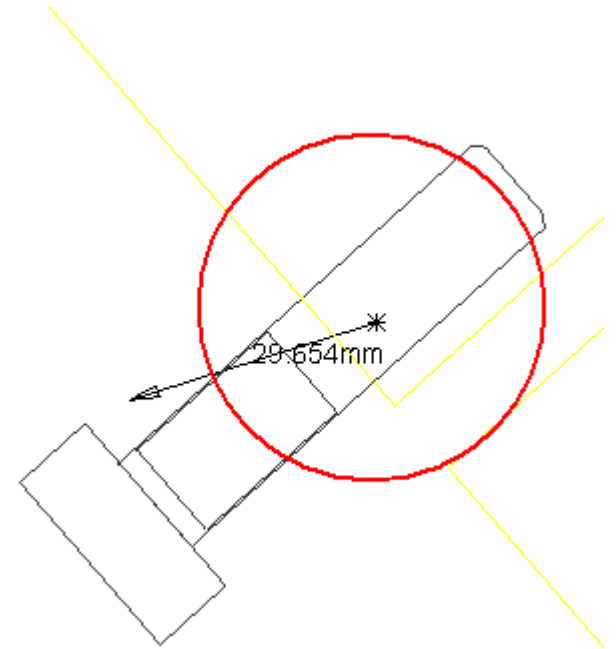
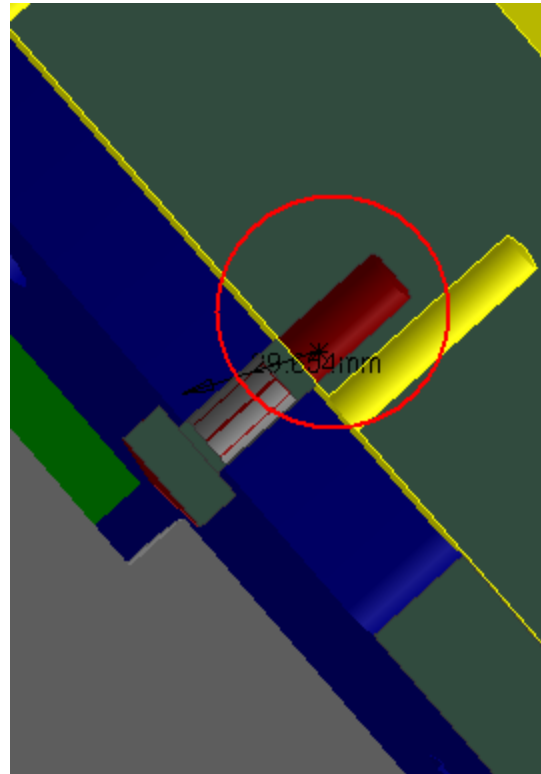
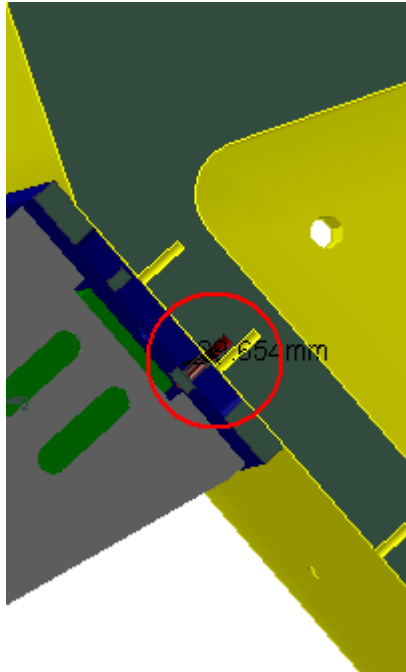
Clash View 1:



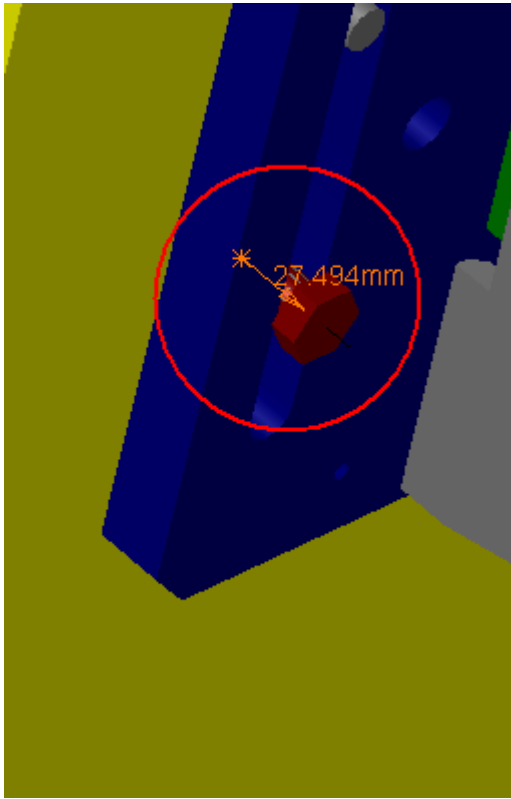
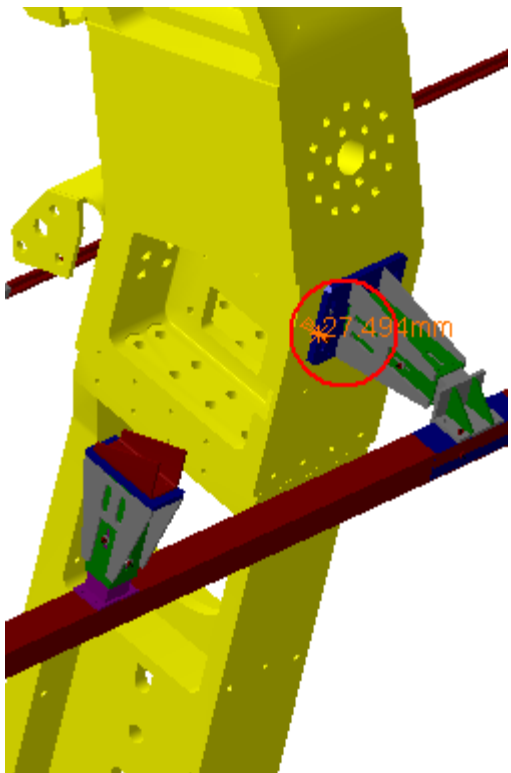
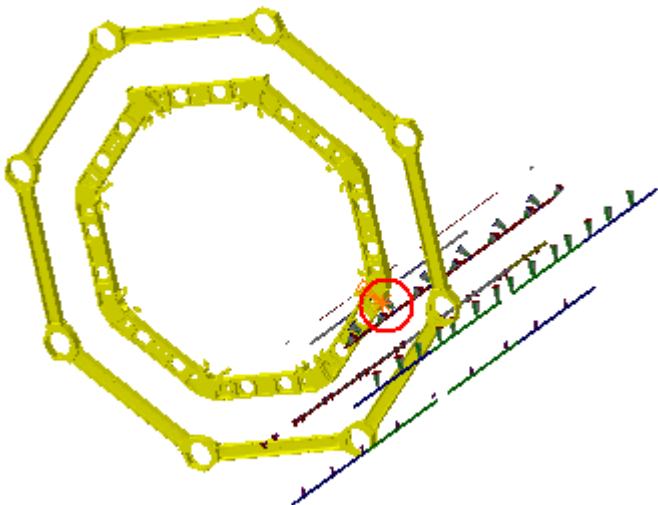
AT612359MQ Muon Support Sector 11	AT812127MQ TBW Structure	Clash	-29.65mm	Not inspected
--------------------------------------	--------------------------	-------	----------	---------------



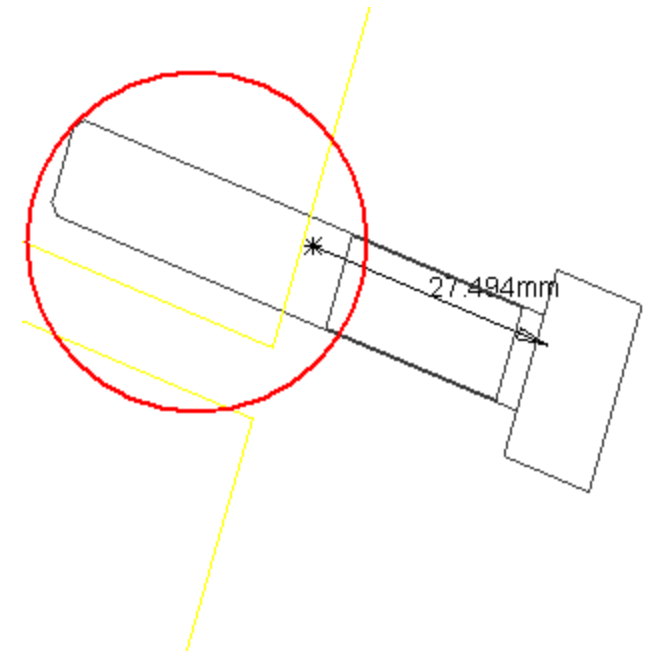
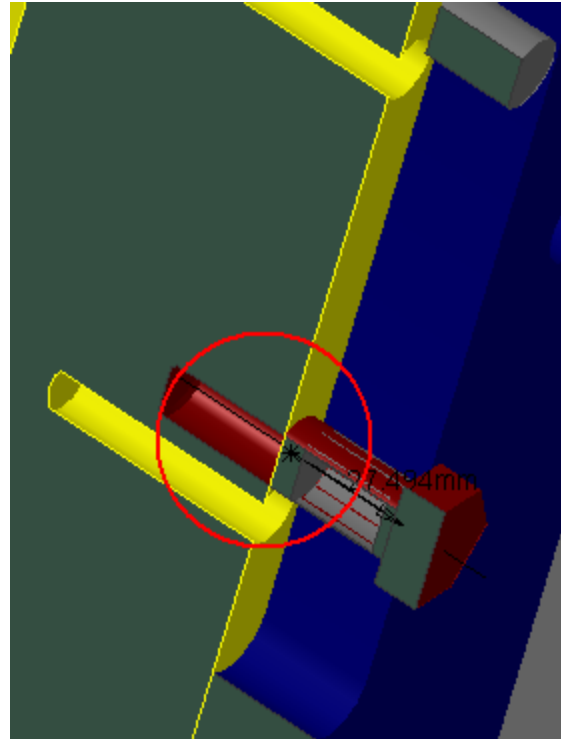
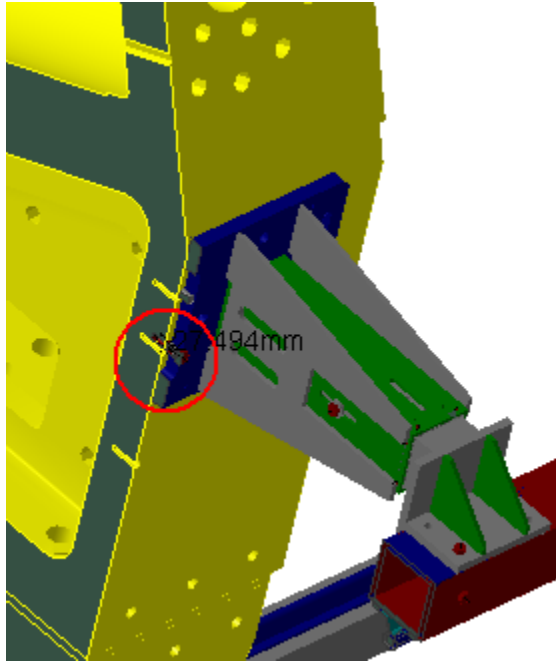
Clash View 1:



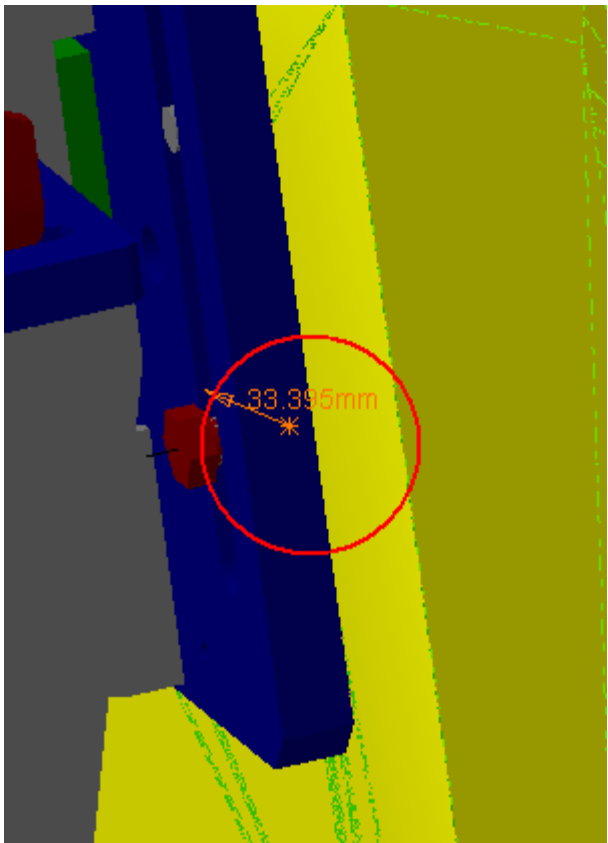
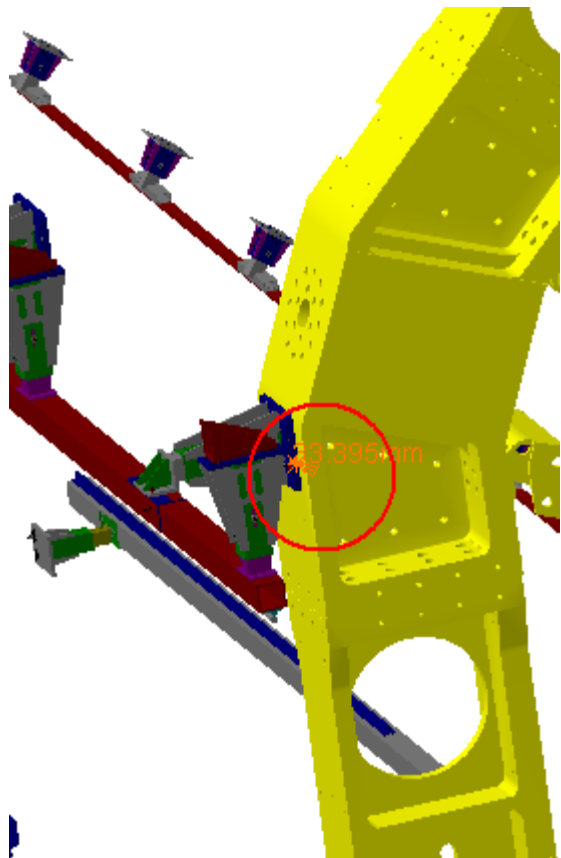
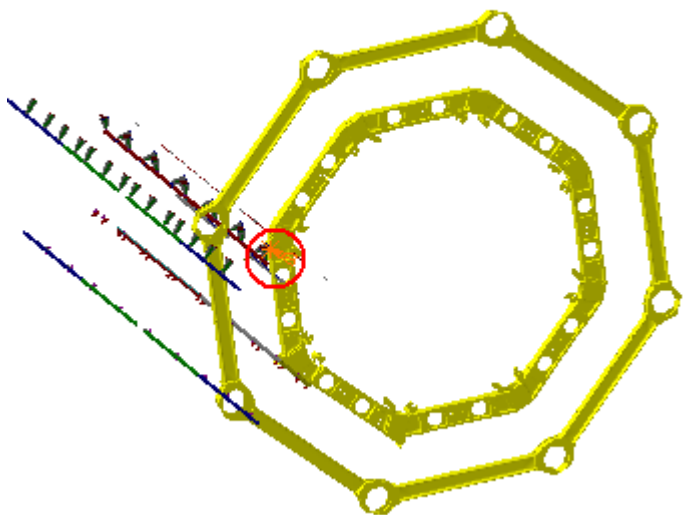
AT612359MQ Muon Support Sector 11	AT812127MQ-M TBW Structure	Clash	-27.49mm	Not inspected
--------------------------------------	----------------------------	-------	----------	---------------



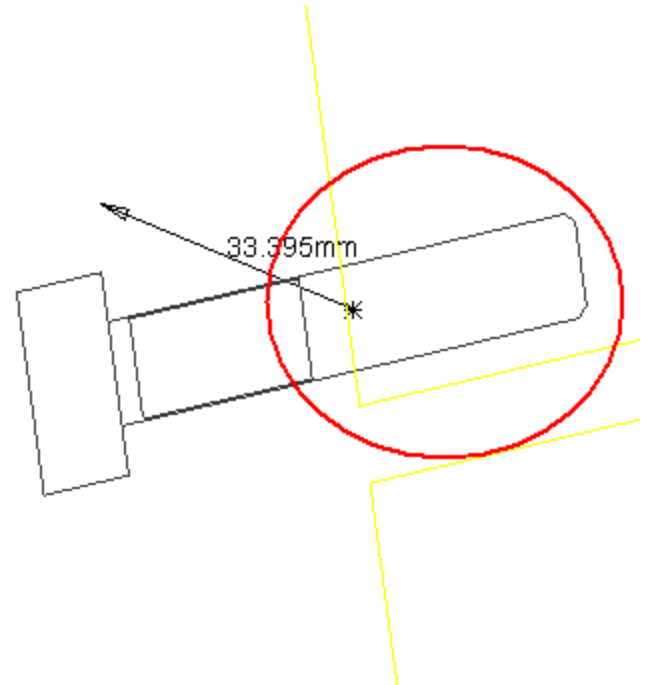
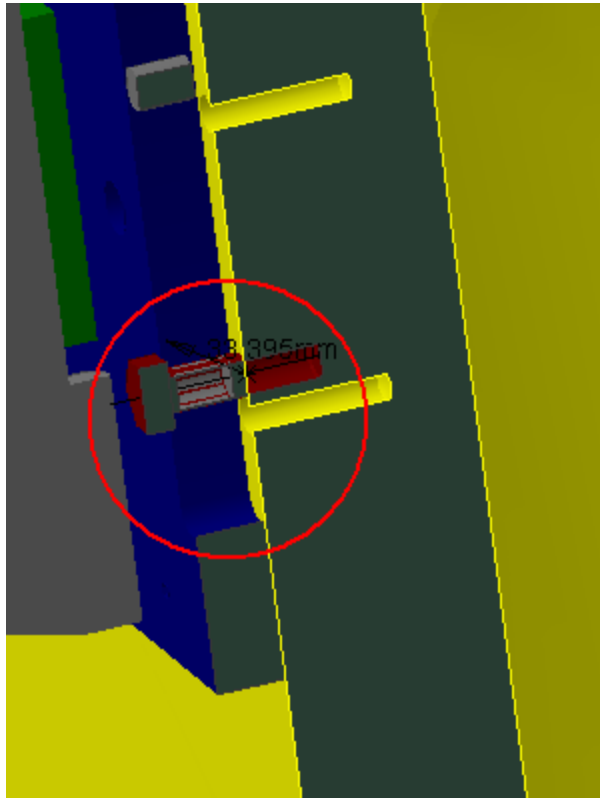
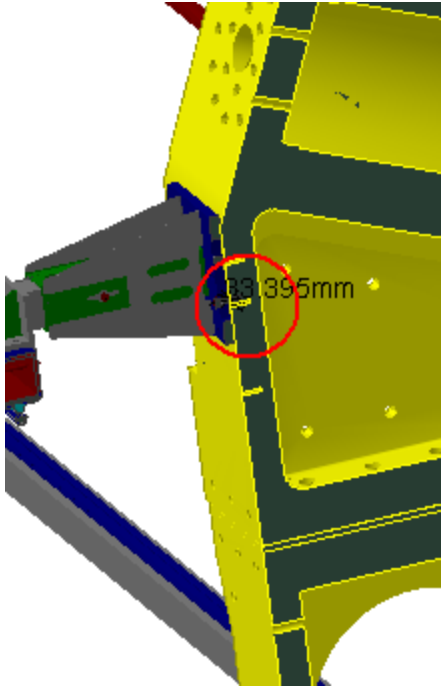
Clash View 1:



AT612359MQ Muon Support Sector 11	AT812128MQ TBW Structure	Clash	-33.4mm	Not inspected
--------------------------------------	--------------------------	-------	---------	---------------



Clash View 1:



AT612359MQ Muon Support
Sector 11

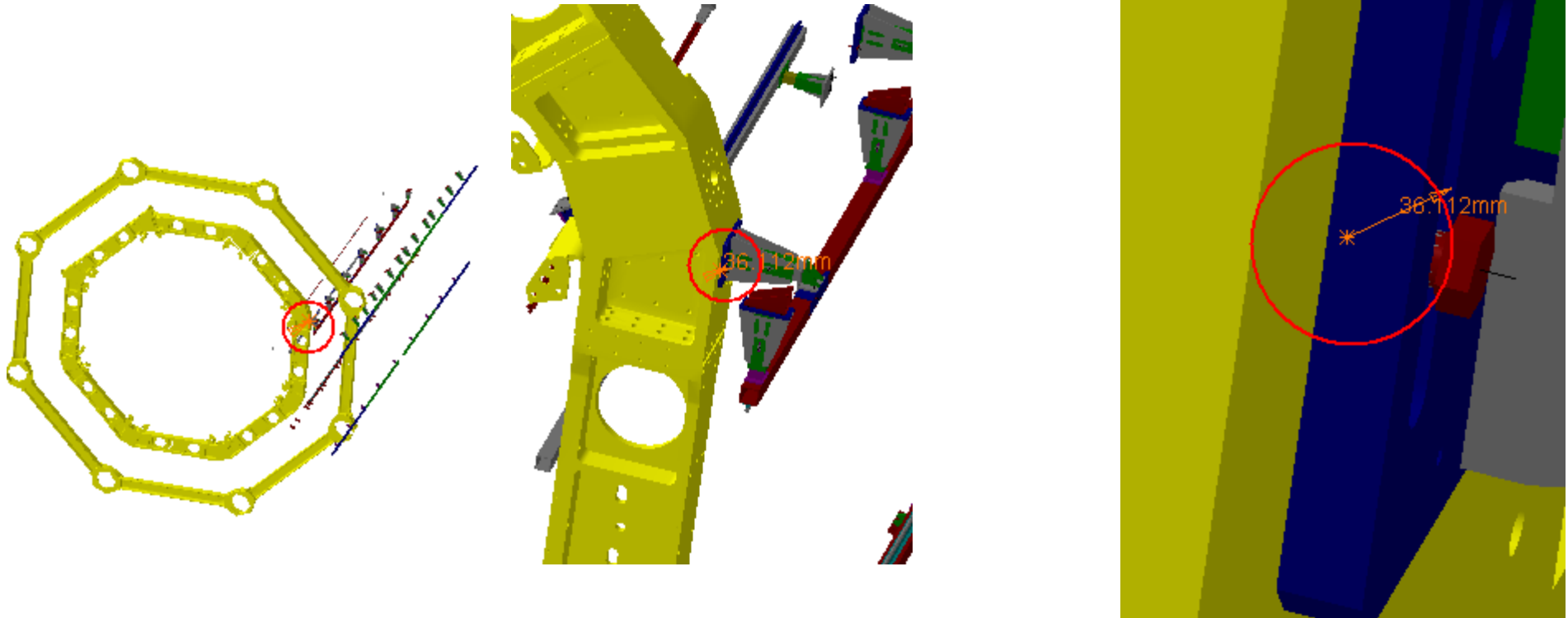
AT812128MQ-M TBW Structure

Clash

-36.11mm

Not inspected

RELEVANT



Side C

Sector 11

Clash View 1:

